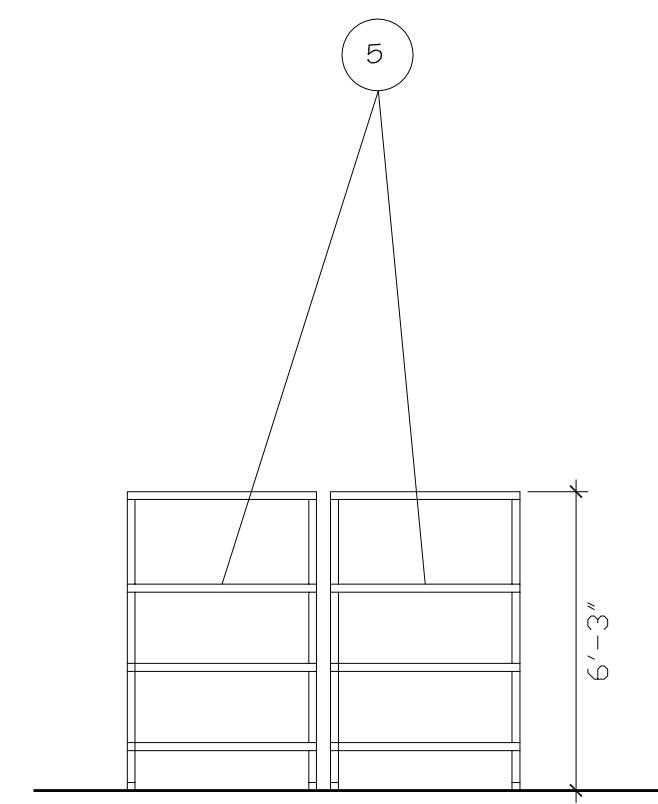
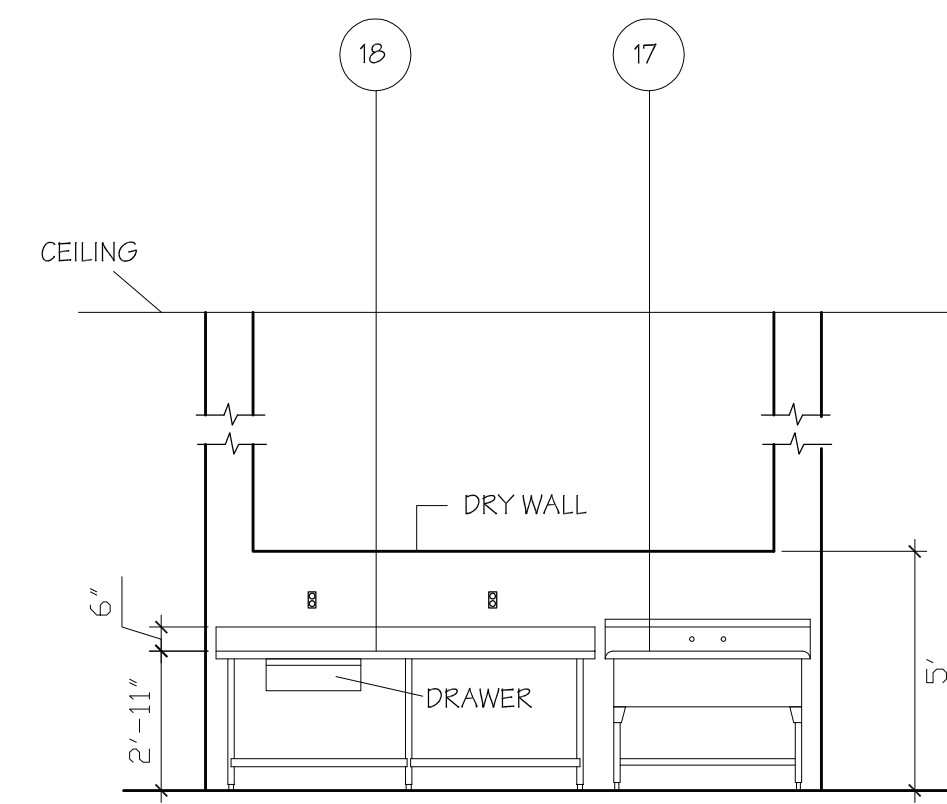


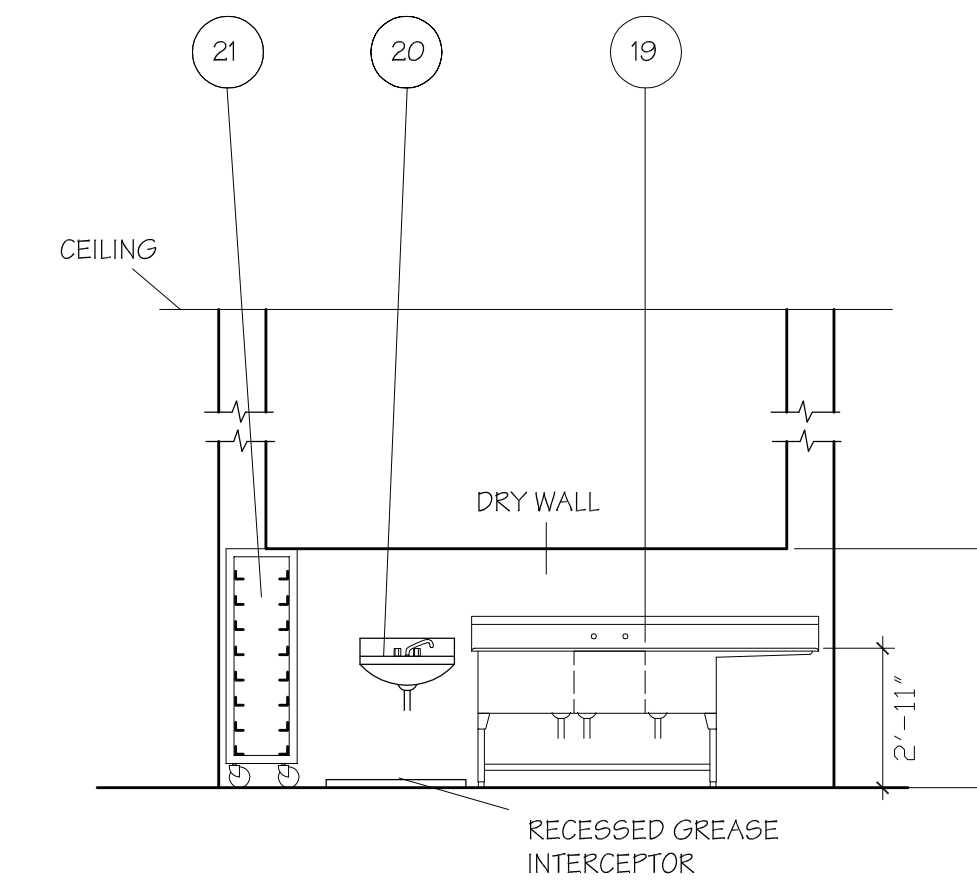
ELEVATION - A



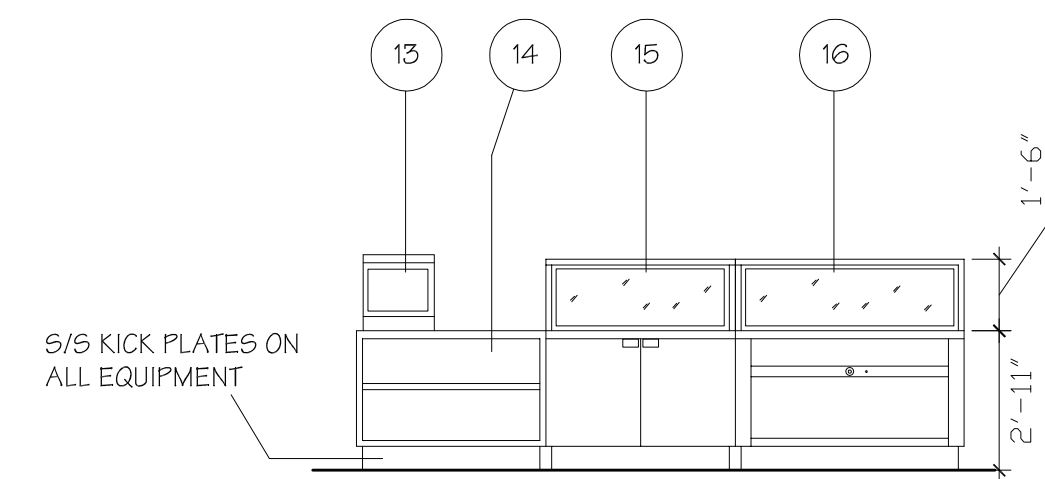
ELEVATION - B



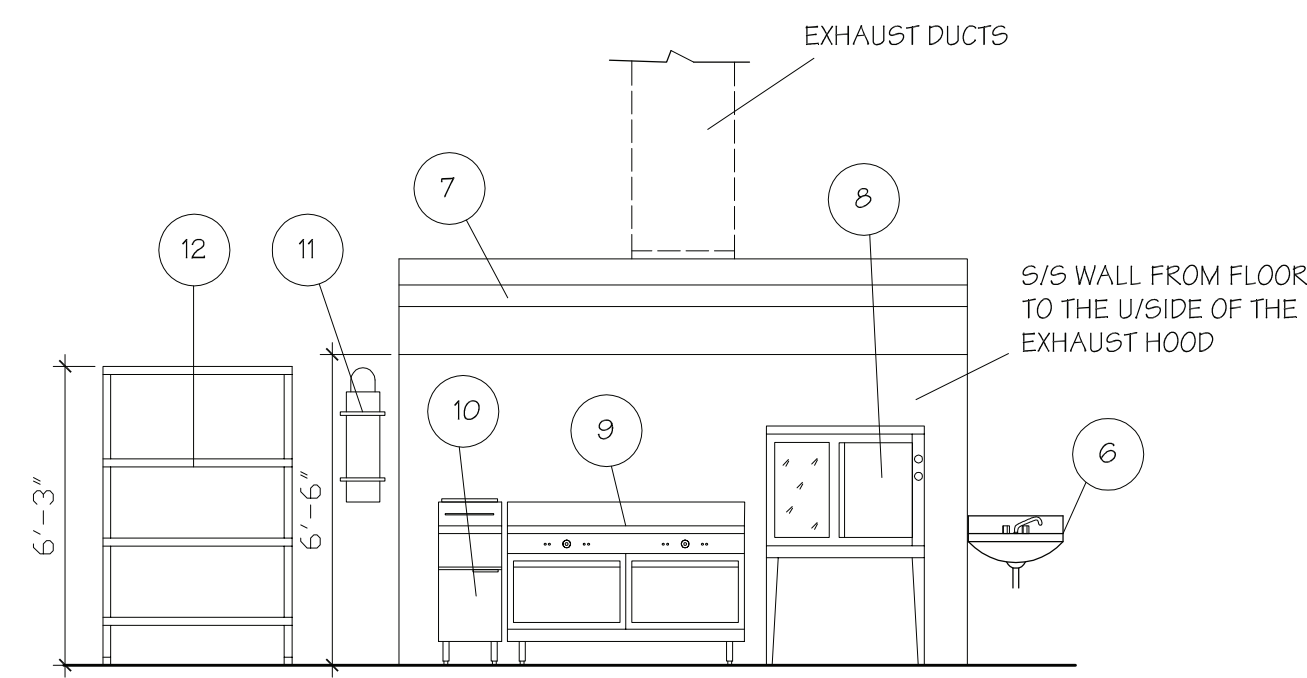
ELEVATION - D



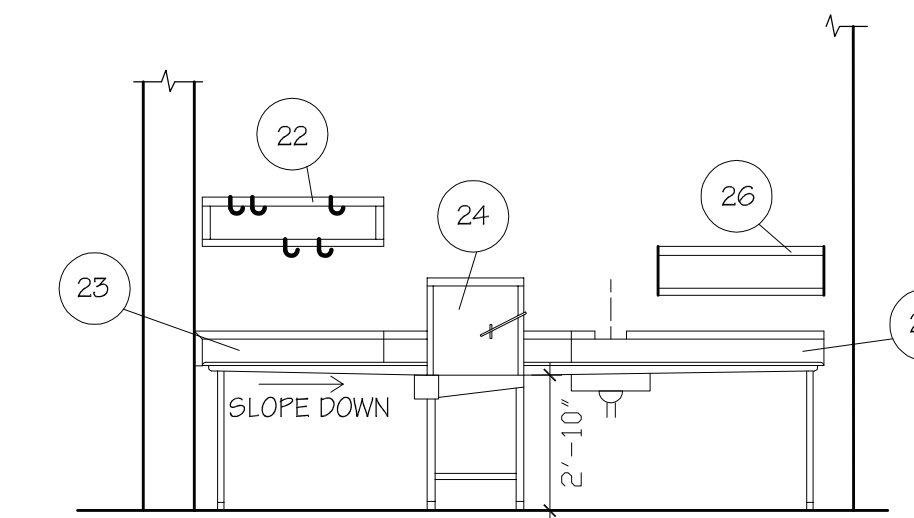
ELEVATION - C



ELEVATION - E

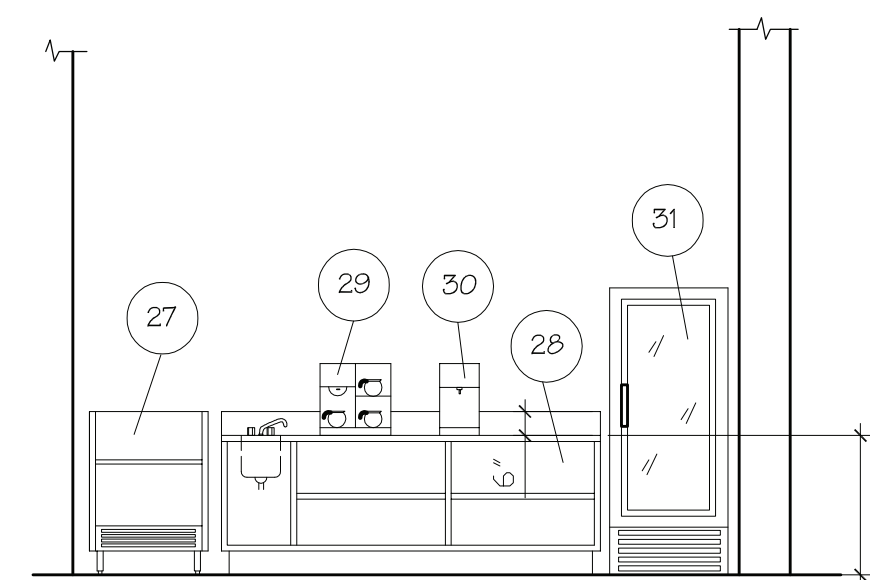


ELEVATION - F

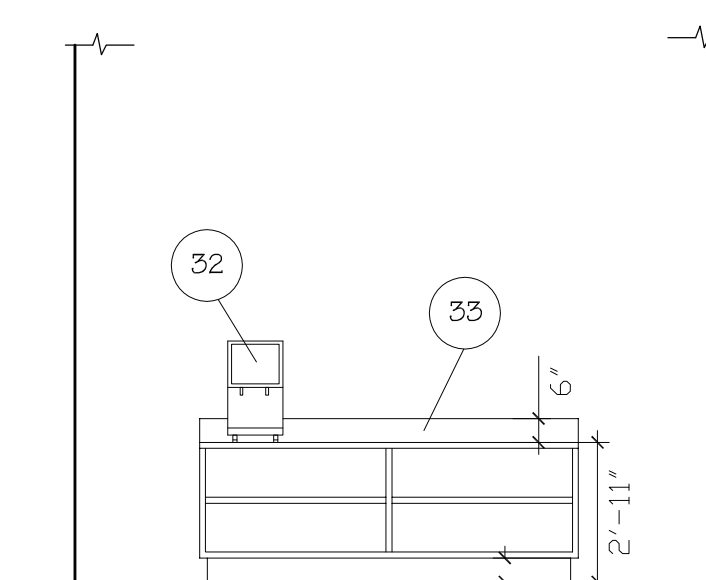


ELEVATION - G

Sample Drawing



ELEVATION - H



ELEVATION - I

DO NOT SCALE THE DRAWING. THE CONTRACTOR SHALL CHECK AND VERIFY ALL DIMENSIONS ON THE DRAWINGS AND JOB SITE AND REPORT ANY DISCREPANCIES IMMEDIATELY TO THE DESIGNER BEFORE COMMENCING THE WORK.

REVISION

JOB NAME

YOUR COMPANY NAME

DRAWING TITLE
KITCHEN EQUIPMENT ELEVATIONS.

DRAWN BY	CHECKED BY A.G.
DATE JAN. 24, 2013	SCALE 1/4" = 1 FOOT
PROJECT NUMBER 1301110	DRAWING NUMBER K - 3